

1.3MPx and 3MPx IR Dome IP Cameras

IP Open Standards Cameras



OVERVIEW

TruVision IP Megapixel Open Standards dome IR cameras bring state-of-the-art, high-definition images to the mass video surveillance market. Designed to adhere to ONVIF Profile S open communication standards, these cameras also support a CGI command set for simple integration into any IP system. 1.3MPx and 3MPx resolution options provide the flexibility for a wide variety of applications.

An integrated browser and the varifocal models micro SD memory card storage capabilities simplify remote, live monitoring/playback of edge-recorded video and audio. Memory card recording protects data in the event of network disruptions.



STANDARD FEATURES

Video

- 1.3MPx or 3MPx resolution options
- H.264 compression technology with dual-streaming capability accommodates multiple settings
- Compatible with ONVIF Profile S open standards

Video Enhancement

- Hallway view, ROI (Region of Interest)
- DWDR and/or real-time video streaming up to 1080p resolution to capture every detail
- True day/night functionality and infrared illuminators for capturing images in various lighting scenarios
- 33~49 ft. (10m~15m) IR range - with on/off settings

Video Alarms

- Integrated Motion Detection, Tamper proof and Privacy masking
- Advanced Cross line and Intrusion detection

Audio and Edge Recording

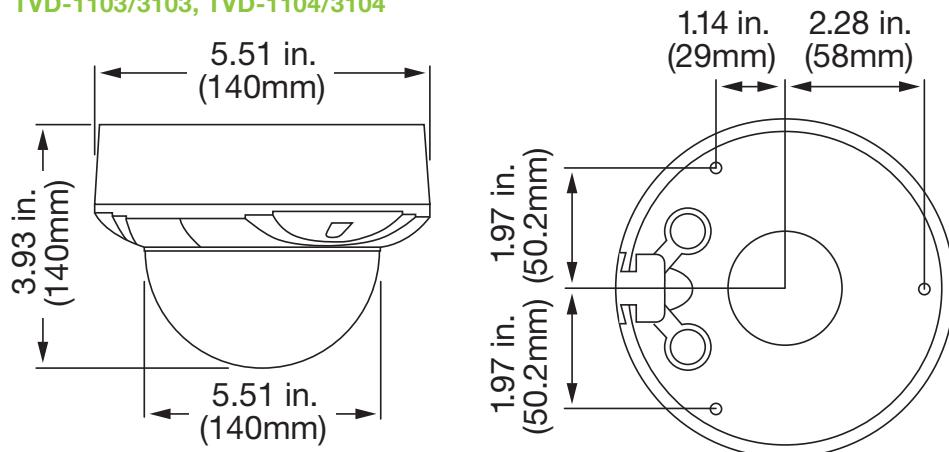
- Select models support external audio I/O
- Varifocal models feature edge recording on up to 64GB micro SD/SDXC card for video playback (card not included)

Installation and Environment

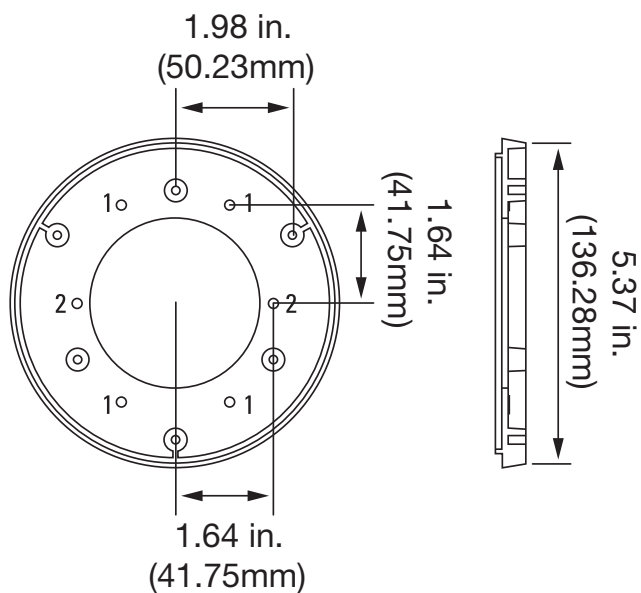
- IP66 Environmental rating
- IK10 Vandal rating (select models)
- Included TruVision Device Manager program provides fast and easy access to newly added system devices

Dimensional Diagrams

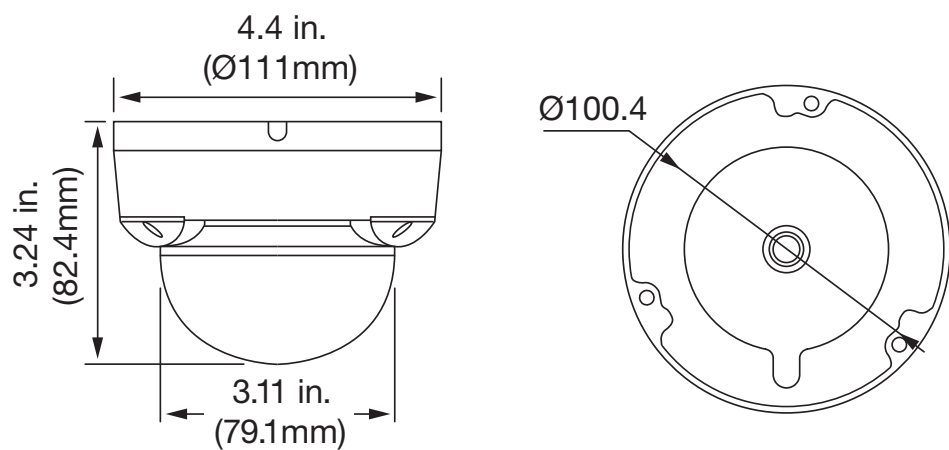
TVD-1103/3103, TVD-1104/3104







Mounting Plate (included)



TVD-1105, TVD-1106



Specifications

PART NO.	TVD-1103	TVD-1104	TVD-1105	TVD-1106
Description				
Sensor Size	1/3" Progressive Scan CMOS sensor			
Resolution	1.3MPx	3MPx	1.3MPx	3MPx
Day/Night	IR cut filter with auto switch			
IP Compression	H.264 (Main profile) / MJPEG			
Maximum Resolution (@ FPS)	1280 x 960 @ 30fps (60Hz) 1280 x 960 @ 25fps (50Hz)	2048 x 1536 @ 20fps (60Hz) 2048 x 1536 @ 20fps (50Hz)	1280 x 960 @ 30fps (60Hz) 1280 x 960 @ 25fps (50Hz)	2048 x 1536 @ 20fps (60Hz) 2048 x 1536 @ 20fps (50Hz)
Maximum Real-Time Resolution (@ FPS)	1280 x 960 @ 30fps (60Hz) 1280 x 960 @ 25fps (50Hz)	1920 x 1080 @ 30fps (60Hz) 1920 x 1080 @ 25fps (50Hz)	1280 x 960 @ 30fps (60Hz) 1280 x 960 @ 25fps (50Hz)	1920 x 1080 @ 30fps (60Hz) 1920 x 1080 @ 25fps (50Hz)
Multiple Streaming	Dual Streams			
Video Bit Rate	Mainstream: 128Kbps to 12Mbps; Sub-stream: 128kbps to 8Mbps			
WDR	DWDR (72dB)			
Digital Noise Reduction	3D			
Sensitivity	0.01 lux @ (f1.2, AGC ON) 0 lux @ (IR ON)	0.07 lux @ (f1.2, AGC ON) 0 lux @ (IR ON)	0.01 lux @ (f1.2, AGC ON) 0 lux @ (IR ON)	0.07 lux @ (f1.2, AGC ON) 0 lux @ (IR ON)
S/N Ratio	50 dB (AGC OFF)			
Auto Exposure (shutter)	60 Hz: 1/3s ~ 1/100,000s, 50 Hz: 1/3s ~ 1/100,000s			
Composite Output (BNC)	N/A		BNC	
Lens	2.8~12mm @ f1.4 auto iris		2.8mm @ f2.0	
Focus	Varifocal		Fixed	
IR Distance	49 ft. (15 m) with on/off setting		33 ft. (10m) with on/off setting	
IR Wavelength	850nm			
Ethernet Port	RJ45 10/100Mbps Auto-negotiate			
Network Protocols	TCP/IP, UDP, HTTP, DHCP, DNS, DDNS, ezDDNS, DynDNS, RTP, RTSP, PPPoE, SMTP, NTP, SNMP, HTTPS, FTP, UPnP, NAT, MULTICAST, 802.1x, Qos, IPv4, IPv6			
Media	Micro SD/SDXC slot (card not included)		N/A	
Capacity	Up to 64 GB		N/A	
Input	Cable harness for external Mic level (Supports stereo or mono microphones) or Line-level inputs		N/A	
Output	Audio OUT/GND for external audio connection		N/A	
Audio bit rate (protocol)	64Kbps (G.711) / 16Kbps (G.726) / 32-128Kbps (MP2L2)			
Basic	Motion Detection, Tamper Proof, Privacy Mask			
Advanced	Cross line, Intrusion detection			
Standards & Integration	ONVIF, (Profile S), PSIA, CGI			
Display Mode	Flipped horizontally (up/down), vertically (right/left) or centered, Hallway view, ROI (Region of Interest)			
On Screen Display (OSD)	Text overlay			
Voltage Input	12VDC, PoE (IEEE 802.3-af)		585 mA	
Current	460 mA		7W (Max.)	
Power Consumption	5.5W (Max.)		7W (Max.)	
I/O Connection	Wires 1/1		N/A	
Dimensions	5.5 x 3.9 in. (140 x 100mm)		4.4 x 3.2 in. (111 x 82mm)	
Weight	1.7 lbs. (767g)		0.8 lbs. (370g)	
Storage Temperature	-4°F~-158°F (-20°C~70°C)			
Operating Temperature	-22°F~-140°F (-30°C~ 60°C)			
Environmental Temperature	IP66			
Vandal Rating	IK10		N/A	
Compliance	FCC, CE, UL, C-Tick, REACH, RoHS, WEEE			

1.3MPx and 3MPx IR Dome IP Cameras

IP Open Standards Cameras

Interlogix
National Sales Enquiries
1300 361 479

Ground Floor
10 Ferntree Place
Notting Hill, Victoria 3168
T: +61 3 239 1200
W: www.interlogix.com.au

Ordering Information

TVD-1103	TruVision 1.3MPx Open Standards, Progressive Scan CMOS, Outdoor Vandal Dome, True D/N, DWDR, 15m IR, 2.8~12mm VF Lens, Micro SD/SDXC Slot, ONVIF, PoE/12VDC, IP66, PAL
TVD-1104	TruVision 3MPx Open Standards, Progressive Scan CMOS, Outdoor Vandal Dome, True D/N, DWDR, 15m IR, 2.8~12mm VF Lens, Micro SD/SDXC Slot, ONVIF, PoE/12VDC, IP66, PAL
TVD-1105	TruVision 1.3MPx Open Standards, Progressive Scan CMOS, Outdoor Mini Dome, True D/N, DWDR, 2.8mm Fixed Lens, 10m IR, ONVIF, PoE/12VDC, BNC, IP66, PAL
TVD-1106	TruVision 3MPx Open Standards, Progressive Scan CMOS, Outdoor Mini Dome, True D/N, DWDR, 2.8mm Fixed Lens, 10m IR, ONVIF, PoE/12VDC, BNC, IP66, PAL

Accessories

TVD-CB3	TruVision Dome 3" Cup Base (use w/UVD and TVD-6/7 Series Analog Domes; TVD-IP Domes; TVD-SNB; TVD-PPB)
TVD-M-PMA	TruVision Pole Mount Adapter (use w/TVD-SNB or TVC-IP VF Bullet Cameras)
TVD-M2-FM	TruVision Indoor Flush Mount (use w/Open Standard Series Indoor TVD-IP Domes)
TVD-M2-PNDT	TruVision Dome Pendant Mount (use without TVD-CB2 for Wedge Cameras)
TVD-M2-WM	TruVision Dome Wall Mount (use w/Open Standard Series Indoor TVD-IP Domes and TVD-6/7 Series Analog Domes)
TVD-SNB	TruVision Dome Swan Neck Bracket (use w/TVD-CB5A, TVD-CB3, TVD-CB2)
TVD-PPB	TruVision Dome Pendant-Mount Bracket (use w/TVD-CB5A, TVD-CB3, TVD-CB2)

Specifications subject to change without notice.

Copyright © 2015 UTC Fire & Security Australia Pty Ltd.
All rights reserved.

UTC Fire & Security Australia Pty Ltd trading as Interlogix is a UTC Climate, Controls & Security company.



TRU_IRDOMEIPCAM-DS-160216-1