

1.3MPx and 3MPx IP WiFi Wedge IR Cameras

IP Open Standards Cameras



OVERVIEW

TruVision IP Megapixel WiFi Wedge IR Cameras from Interlogix offer state-of-the-art, high-definition images utilizing this popular technology. Designed to adhere to ONVIF open standards, these cameras also support a CGI command set for simple integration into any IP system. 1.3 and 3MPx resolution options provide the flexibility for a wide variety of applications.

These WiFi cameras are based on the Wi-Fi standards of IEEE802.11b/g/n and operate in the 2.4GHz range. Transmission rates of up to 150Mbps is supported and secure wireless communication is achieved via 64/128-bit WEP, WPA/WPA2, WPA-PSK/WPA2-PSK and WPS wireless encryption standards.

An integrated browser and micro SD memory card storage capability simplify remote, live monitoring/playback of edge-recorded audio and video. Memory card recording also protects data in the event of network disruptions.

The TruVision IP Megapixel WiFi Wedge Cameras are designed for harsh indoor/outdoor environments in marine or land applications or for locations where running cable is not feasible.

These WiFi cameras have an IK8 impact resistant rating, and are IP66 rated for dust and moisture. The enhanced environmental design includes a housing cover made of plastic, stainless steel screws that meet SUS316 standards for improved corrosion resistance, and a special protective coating material for the camera base.



STANDARD FEATURES

Video

- 1.3MPx or 3MPx resolution options
- H.264 compression technology with dual-streaming capability accommodates multiple settings
- Compatible with ONVIF Profile S open standards

Video Enhancement

- Hallway view, ROI (Region of Interest)
- DWDR and/or real-time video streaming up to 1080p resolution to capture every detail
- True day/night functionality and infrared illuminators for capturing images in various lighting scenarios
- 33 ft. (10m) IR range - with on/off settings

Video Alarms

- Integrated motion detection, tamper proof and privacy masking
- Advanced cross line and Intrusion detection

Edge Recording

- Features edge recording on micro SD/SDXC card for video playback (card not included)

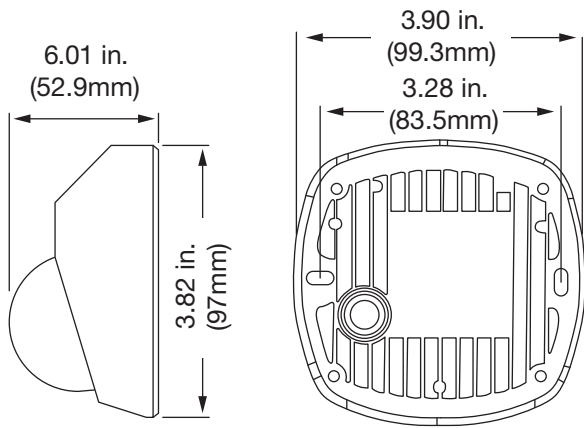
Wireless (Wi-Fi)

- Supports IEEE802.11b/g/n Wi-Fi standards
- 2.4 GHz frequency range
- Encryption security support for 64/128-bit WEP, WPA/WPA2, WPA-PSK/WPA2-PSK, WPS standards

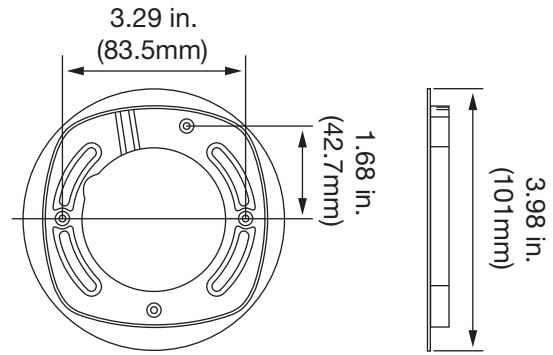
Environment and Installation

- Corrosive and impact-resistant housing
- IP66 and IK8 ratings
- FCC, CE, UL and C-tick
- Included TruVision Device Manager program provides fast and easy access to newly added system devices

Dimensional Diagrams

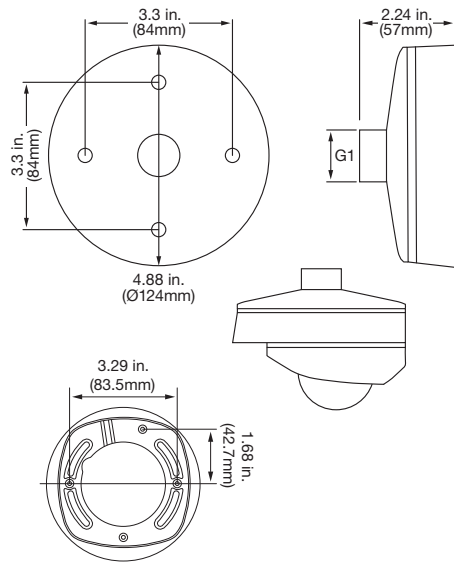


Mounting Plate (included)

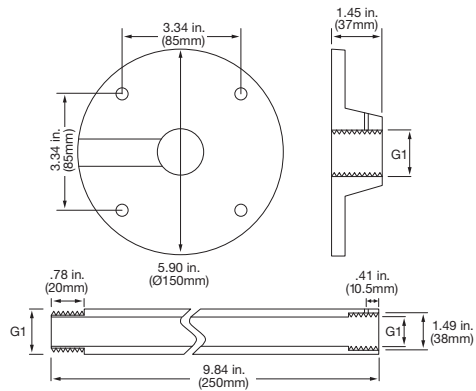


Accessories

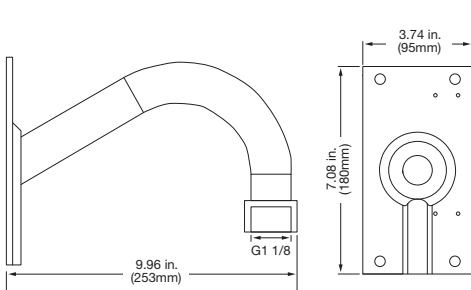
TVD-CB2 2" Cup Base



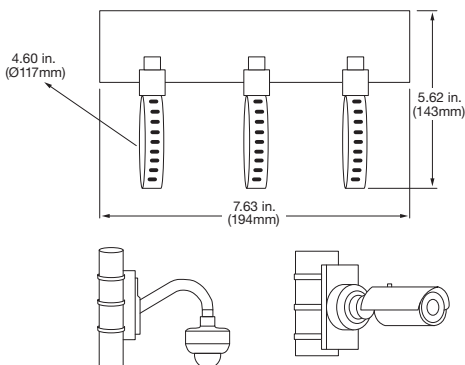
TVD-PPB Pendant Ceiling Bracket




TVD-SNB Swan Neck Bracket



TVD-M-PMA Pole Mount Adaptor



Specifications

PART NO.		TVW-1103	TVW-1105
Description			
Colour		Gray	Gray
Camera	Sensor	1/3" Progressive Scan CMOS sensor	
	Resolution	1.3MPx	3MPx
	Day/Night	IR cut filter with auto-switch	
	IP Compression	H.264 (Main profile) / MJPEG	
	Maximum Resolution (@ fps)	1280 x 960 @ 30fps (60Hz), 1280 x 960 @ 25fps (50Hz)	2048 x 1536 @ 20fps (60Hz), 2048 x 1536 @ 20fps (50Hz)
	Maximum Real-Time Resolution (@ fps)	1280 x 960 @ 30fps (60Hz), 1280 x 960 @ 25fps (50Hz)	1920 x 1080 @ 30fps (60Hz), 1920 x 1080 @ 25fps (50Hz)
	Multiple Streaming	Dual Streams	
	Video Bit Rate Mainstream	128 Kbps to 12 Mbps	
	Video Bit Rate Substream	128 Kbps to 8 Mbps	
	WDR	DWDR (72dB)	
	Digital Noise Reduction	3D	
	Sensitivity	0.01 lux @ (f1.2, AGC ON), 0 lux @ (IR ON)	0.07 lux @ (f1.2, AGC ON), 0 lux @ (IR ON)
	S/N Ratio	50 dB (AGC OFF)	
	Auto Exposure (shutter)	60 Hz: 1/3s ~ 1/100,000s, 50 Hz: 1/3s ~ 1/100,000s	
	Lens	2.8mm @ f2.0	
	Focus	Fixed	
IR Distance	33 ft. (10m) with on/off setting		
IR Wavelength	850nm		
Standards & Integration		ONVIF Profile S, PSIA, CGI	
Network	Network Protocols	TCP/IP, UDP, HTTP, DHCP, DNS, DDNS, ezDDNS, DynDNS, RTP, RTSP, PPPoE, SMTP, NTP, SNMP, HTTPS, FTP, UPnP, NAT, MULTICAST, 802.1x, Qos, IPv4, IPv6	
	Ethernet Port	RJ45 10/100Mbps Auto-negotiate	
Wireless	WiFi Standards	IEEE802.11b, 802.11g, 802.11n	
	Frequency Range	2.4 GHz ~ 2.4835 GHz	
	Channel Bandwidth	20/40MHz Support	
	Protocols	802.11b: CCK, QPSK, BPSK; 802.11g/n: OFDM / 11b: 17±1.5dBm @ 11Mbps	
	Transmit Output Power	11b: 17±1.5dBm @ 11Mbps; 11g: 14±1.5dBm @ 54Mbps; 11n: 12.5±1.5dBm	
	Transfer Rates	11b: -90dBm @ 11Mbps (Typical); 11g: -75dBm @ 54Mbps (Typical); 11n: -74dBm (Typical)	
	WiFi Range	~ 164 ft. (50m) in direct line-of sight applications	
Security	64/128-bit WEP, WPA/WPA2, WPA-PSK/WPA2-PSK, WPS		
Local Storage	Media	Micro SD/SDXC (card not included)	
	Capacity	Up to 64GB	
Audio	Input	Built-in	
	Output	External	
	Audio Bit Rate (Protocol)	64 Kbps (G.711) / 16 Kbps (G.726) / 32-128 Kbps (MP2L2)	
Camera Alarms	Basic	Motion Detection, Tamper Proof, Privacy Mask	
	Advanced	Cross line, Intrusion detection	
	I/O Connection	Audio output, Alarm I/O	
Display	Display mode	Flipped horizontally (up/down), vertically (right/left) or centered, Hallway view, ROI (Region of Interest)	
	On Screen Display (OSD)	Text overlay	
Electrical & Mechanical	Voltage	12VDC, PoE (IEEE 802.3-af)	
	Current	420mA (Max.)	
	Power Consumption	5W (Max.)	
	Dimensions (W x H x D)	3.9 x 3.8 x 2.1 in. (99 x 97 x 53mm)	
	Weight	0.9 lbs. (407g)	
Environmental	Adapter Mounting Plates	Converter plate included	
	Storage Temperature	-4°F~158°F (-20°C~70°C)	
	Operating Temperature	-22°F~140°F (-30°C~60°C)	
	Environmental Rating	IP66	
Regulatory	Vandal Rating	IK8	
	Compliance	R&TTE, FCC, CE, UL, C-Tick, REACH, RoHS, WEEE	

1.3MPx and 3MPx IP WiFi Wedge IR Cameras

IP Open Standards Cameras

Interlogix
National Sales Enquiries
1300 361 479

Ground Floor
10 Ferntree Place
Notting Hill, Victoria 3168
T: +61 3 239 1200
W: www.interlogix.com.au

Ordering Information

TWW-1103	TruVision IP WiFi Wedge Camera, 1.3MPx, 2.8mm Fixed Lens, DWDR, True D/N, 10m IR, SD/SHDC Slot, PoE (802.3-af)/12VDC, Corrosion Resistant, IP66, IK8, Audio, Gray Housing, PAL
TWW-1105	TruVision IP WiFi Wedge Camera, 3MPx, 2.8mm Fixed Lens, DWDR, True D/N, 10m IR, SD/SHDC Slot, PoE (802.3-af)/12VDC, Corrosion Resistant, IP66, IK8, Audio, Gray Housing, PAL

Accessories

TVD-CB2	TruVision Dome 2" Cup Base
TVD-PPB	TruVision Dome Pendant-Mount Bracket (use w/TVD-CB2)
TVD-SNB	TruVision Dome Swan Neck Bracket (use w/TVD-CB2)
TVD-M-PMA	TruVision Pole Mount Adapter (use w/TVD-SNB)

Specifications subject to change without notice.

Copyright © 2015 UTC Fire & Security Australia Pty Ltd.
All rights reserved.

UTC Fire & Security Australia Pty Ltd trading as Interlogix is a UTC Building & Industrial Systems company.



WIFIWEDGE-DS-151006-1